

BFT-KIT-ELI-AC-A35V

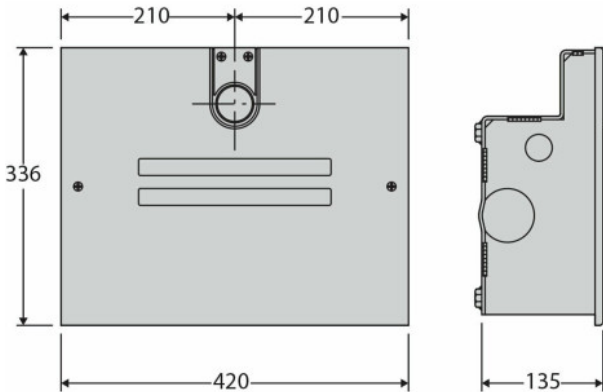


230V FAST ELECTROMECH. UNDERGROUND DOUBLE KIT FOR 3.5M GATES

This electro-mechanical double kit is suitable for leaves up to a width of 3.5m up to 200kg in weight. With slowdown on its opening and closing cycle, the motor can protect itself and reduce noise by not banging into hard stops. As the motor nearly reaches the open and closed position it will start to slow coming to a gentle stop.

FEATURES

- Fast operating speed
- Ideal for intensive use
- Can open a gate to 90° in approx 11 seconds (no slowdown)
- Equipped with physical stops in both directions
- As standard can operate gates up to 120°
- Electronic clutch
- EE Link
- ER Ready
- U-Link



TECHNICAL INFORMATION

- Power supply: 220-230Vac, 50/60Hz
- Gate leaf length: 3.5m
- Gate leaf weight (max): 200kg
- Protection level: IP67
- Working temp: -20°C to +55°C