

## KS-2S(M)



### DOUBLE POLE DOUBLE THROW MAINTAINED KEYSWITCH

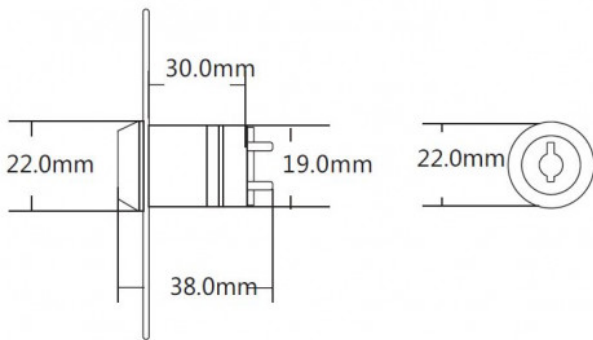
Double pole/double throw metal keyswitch ideal for overriding door access control systems. This unit is maintained allowing you to remove the key when it is in the contact position and is supplied complete with cylinder and 2 keys.

#### FEATURES

- Double pole double throw maintained keyswitch
- Flush mount
- Supplied with cylinder and 2 keys
- Key removal in both positions

#### TECHNICAL INFORMATION

- Dimensions: 86mm x 86 mm
- Contact Rating: 3A 125-250VAC
- Output: 2NO/2NC/2COM
- Mechanical Life: 500,000 Tests
- Operating Temperature: -20°C - +55°C
- Fly leads



## RELATED PRODUCTS



**KS-050(W)**



**KS-2SB**



**KS-2SMO**



Shown with optional euro cylinder (not included)

**KS-EURO-S-MA-DP**