

M1SAF

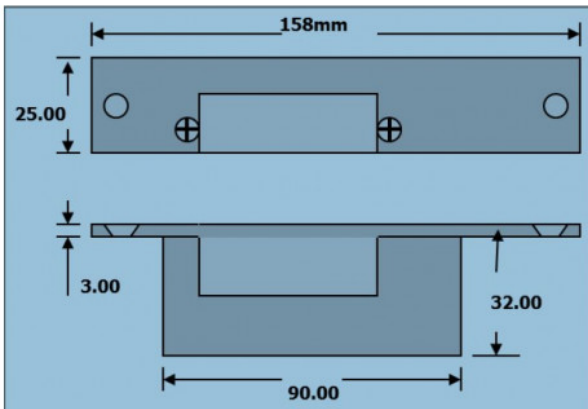


12VDC EURO MORTICE RELEASE FAIL SAFE

Euro style electric release (strike) supplied with long face plate. This fail safe version is suitable for use with dc current only. Recommended for low security internal use.

FEATURES

- Fail safe
- Euro style release
- Mortice installation
- Fixed jaw (adjustable jaw available on request)
- Outward opening rim release option (rim option available on request)
- 24Vdc option available on request



TECHNICAL INFORMATION

- Voltage: 12Vdc
- Current draw: 280mA
- Fail safe (= apply power to lock)

RELATED PRODUCTS

