

## M1SEC



### 12VAC EURO MORTICE RELEASE FAIL SECURE

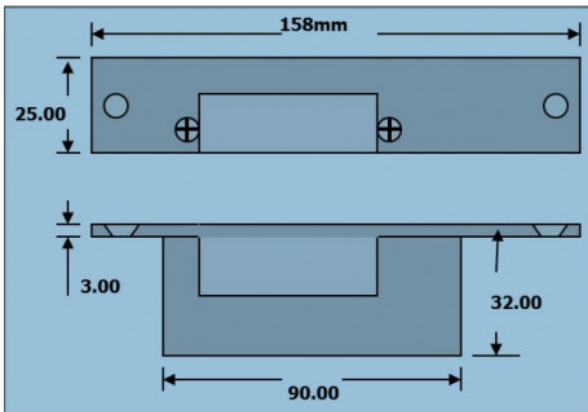
Euro style electric release (strike) supplied with long face plate. This fail-secure version is suitable for use with ac current only. Recommended for low security internal use.

#### FEATURES

- Fail-secure
- Mortice installation
- Adjustable jaw
- Rim option available on request

#### TECHNICAL INFORMATION

- 12 Vac (intermittent use only)
- Fail-secure (=Apply power to unlock)



## RELATED PRODUCTS

